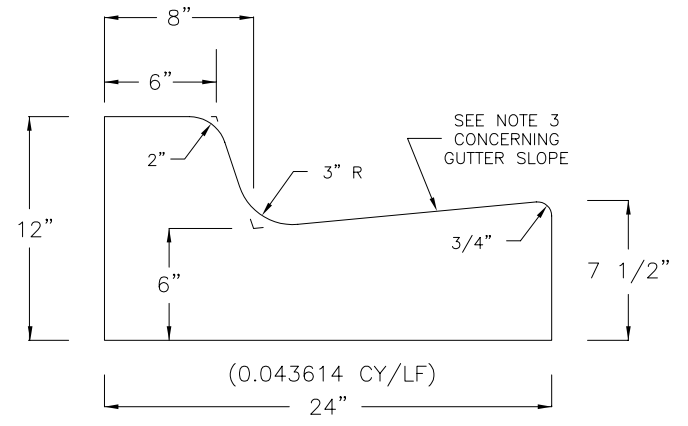
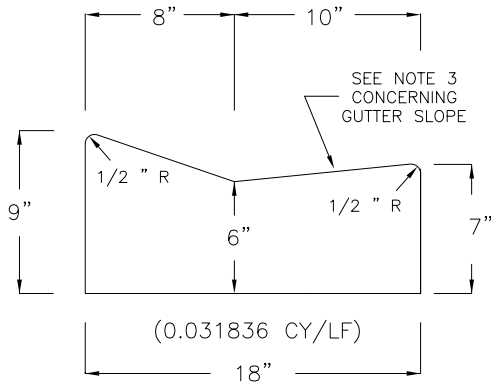


18" CURB & GUTTER  
 SPECIFIC USE: LOCAL ROAD & MINOR  
 COLLECTOR ROADWAY CLASSES



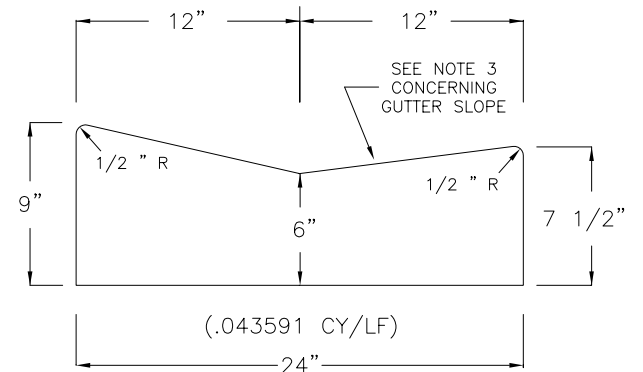
F.D.O.T. STANDARD TYPE "F"  
 CURB AND GUTTER  
 SPECIFIC USE: MAJOR COLLECTOR ROADWAY CLASSES



18" LOW PROFILE CURB & GUTTER  
 SPECIFIC USE: LOCAL ROAD & MINOR  
 COLLECTOR ROADWAY CLASSES

GENERAL NOTES:

1. MATERIALS AND CONSTRUCTION SHALL CONFORM TO THE FDOT STANDARD SPECIFICATIONS FOR ROAD AND BRIDGE CONSTRUCTION.
2. CONCRETE SHALL BE CLASS I CONCRETE WITH A MINIMUM 28 DAY COMPRESSIVE STRENGTH OF 3000 PSI.
3. WHEN USED ON THE HIGH SIDE OF ROADWAY SECTIONS, THE CROSS SLOPE OF THE GUTTER SHALL MATCH THE CROSS SLOPE OF THE ADJACENT PAVEMENT. WHERE THIS CONDITION IS ENCOUNTERED, THE FRONT FACE VERTICAL DIMENSION SHALL REMAIN AS SHOWN FOR NORMAL SECTIONS SHOWN HEREON.



24" LOW PROFILE CURB AND GUTTER  
 SPECIFIC USE: MAJOR COLLECTOR ROADWAY CLASSES

LAND DEVELOPMENT CODE  
 STANDARDS AND DETAILS  
 ST JOHNS COUNTY

REVISION DATES

CURB AND CURB & GUTTER  
 TYPICAL CONSTRUCTION DETAILS

DETAIL NO. 112A  
 DWG: D112A\_\_\_\_.DWG  
 ADOPTED: