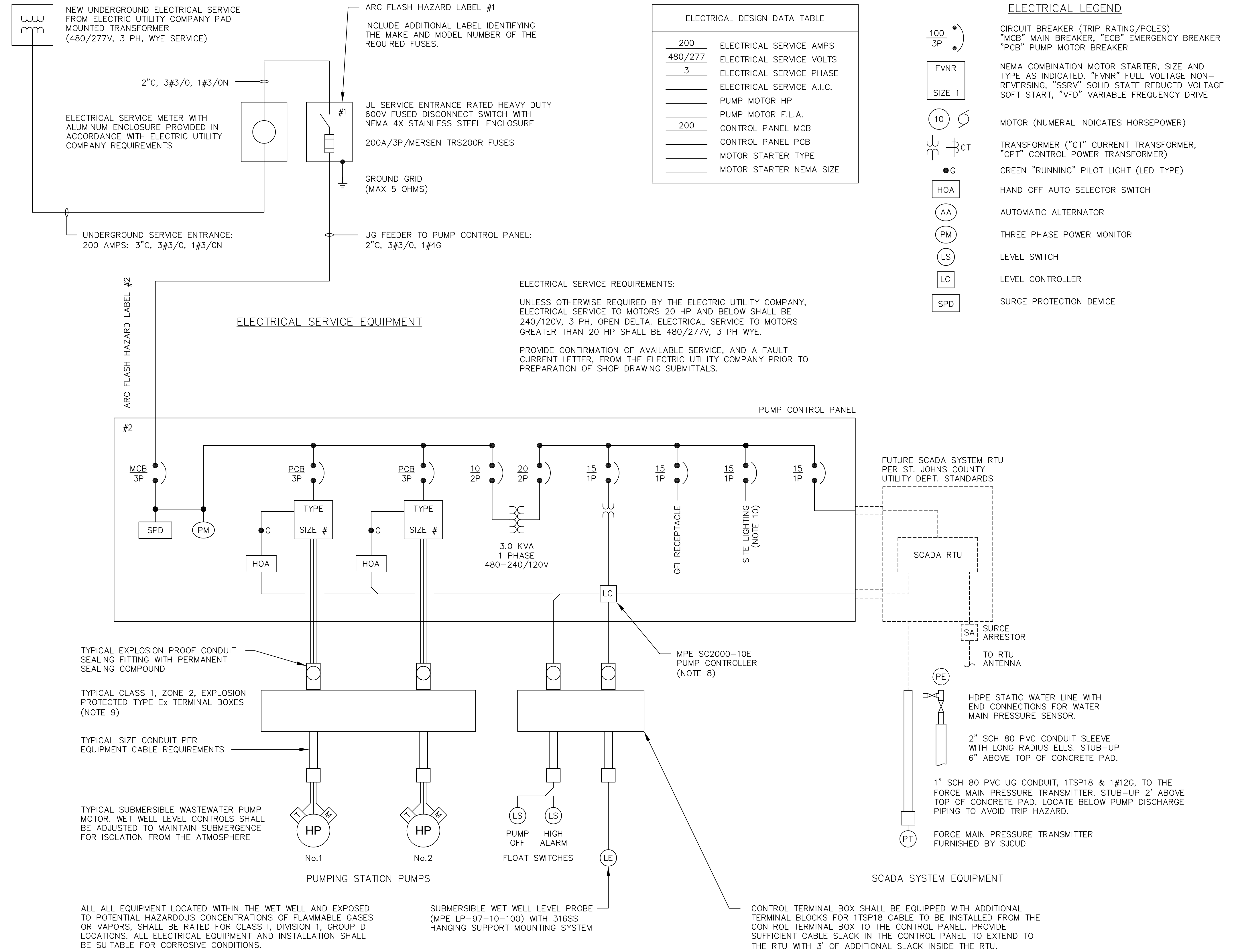


NOTES:

- DESIGN DRAWINGS ARE DIAGRAMMATIC AND INTENDED TO SHOW THE GENERAL REQUIREMENTS. ALL EQUIPMENT AND INSTALLATION SHALL BE IN ACCORDANCE WITH ST. JOHNS COUNTY DESIGN STANDARDS AND SPECIFICATIONS.
- ALL MATERIAL SHALL BE NEW AND SHALL CONFORM WITH THE STANDARDS OF THE UNDERWRITERS' LABORATORIES, INC., AMERICAN NATIONAL STANDARDS INSTITUTE, NATIONAL ELECTRICAL MANUFACTURERS' ASSOCIATION, INSULATED POWER CABLE ENGINEERS ASSOCIATION, AND INSTITUTE OF ELECTRICAL AND ELECTRONIC ENGINEERS, IN EVERY CASE WHERE SUCH A STANDARD HAS BEEN ESTABLISHED FOR THE PARTICULAR TYPE OF MATERIALS IN QUESTION.
- THE INSTALLATIONS SHALL BE IN ACCORDANCE WITH THE REGULATIONS OF THE LATEST EDITIONS OF THE NATIONAL ELECTRICAL CODE, NATIONAL ELECTRICAL SAFETY CODE, APPLICABLE CITY, STATE, AND LOCAL CODES AND REGULATIONS AND OTHER APPLICABLE CODES, INCLUDING UTILITY COMPANY CODES.
- ALL PERMITS REQUIRED BY STATE OR LOCAL ORDINANCES SHALL BE OBTAINED, AND AFTER COMPLETION OF THE WORK, A CERTIFICATE OF FINAL INSPECTION AND APPROVAL FROM THE ELECTRICAL INSPECTOR SHALL BE FURNISHED TO THE OWNER. ALL PERMITS FOR INSTALLATION, INSPECTIONS, CONNECTIONS, ETC., SHALL BE TAKEN OUT AND PAID FOR BY THE CONTRACTOR AS PART OF THE WORK UNDER THIS SECTION.
- ALL MATERIALS AND WORKMANSHIP SHALL BE GUARANTEED TO BE FREE FROM DEFECTS. ANY PART OF THE SYSTEM CONSIDERED DEFECTIVE BY THE ENGINEER WITHIN THE GUARANTEE PERIOD SHALL BE IMMEDIATELY REPLACED OR CORRECTED TO THE ENGINEER'S SATISFACTION WITHOUT FURTHER EXPENSE TO THE OWNER.
- THE PROJECTS GROUNDING SYSTEM SHALL CONSIST OF A GROUNDING ELECTRODE SYSTEM IN ACCORDANCE WITH NEC SPECIFICATIONS, BONDED TO A MAIN GROUND BUS INTERCONNECTING ALL POWER DISTRIBUTION EQUIPMENT. GROUND ROD SECTIONS SHALL BE COUPLED AND DRIVEN TO ESTABLISH A MAXIMUM RESISTANCE TO GROUND OF 5 OHMS THROUGHOUT THE GROUNDING SYSTEM.
- UNLESS OTHERWISE INDICATED, ELECTRICAL EQUIPMENT ENCLOSURES SHALL BE NEMA 12/3R ALUMINUM OR 316 STAINLESS STEEL; CONDUCTORS SHALL BE STRANDED TYPE XHHW-2 COPPER; CONDUCTORS WITHIN THE WET WELL TERMINAL BOXES SHALL BE STRANDED TYPE XHHW-2 TINNED COPPER. UNDERGROUND CONDUIT SHALL BE SCH 40 PVC; EXPOSED CONDUIT SHALL BE SCH 80 PVC; CONDUIT INTO THE WET WELL SHALL BE PVC COATED RIGID ALUMINUM; SUPPORT CHANNEL AND MOUNTING STRUT SHALL BE MINIMUM 1.5" x 1.5" ALUMINUM. ALL MOUNTING HARDWARE SHALL BE 316 STAINLESS STEEL, INCLUDING BUT NOT LIMITED TO NUTS, BOLTS, WASHERS, BRACKETS, ETC. ANTI-SEIZE COMPOUND SHALL BE USED FOR ALL NUTS AND BOLTS. SCREWS ARE NOT ALLOWED. ALL MATERIALS AND INSTALLATION SHALL BE SUITABLE FOR "CORROSIVE ATMOSPHERES".
- THE PUMP CONTROL PANEL WET WELL CONTROL SYSTEM SHALL INCLUDE A MULTIPLEX PUMP CONTROLLER AND SUBMERSIBLE MULTI-POINT LEVEL PROBE FOR AUTOMATIC LEAD/LAG PUMP CONTROL AND ALTERNATION; AND 24V CONTROL POWER TRANSFORMER AND HIGH/OFF LEVEL FLOAT SWITCHES FOR HIGH LEVEL ALARM AND BACKUP PUMP CONTROL.
- DUCT SEAL IS REQUIRED AT ALL CONDUIT CONNECTIONS IN AND OUT OF THE EQUIPMENT CABLE TERMINAL BOXES. ADDITIONALLY, DUCT SEAL IS REQUIRED AT ALL CONDUIT CONNECTIONS IN AND OUT OF THE PUMP CONTROL PANEL.
- PROVIDE SITE LIGHT POLE WITH SERVICE FROM THE PUMP CONTROL PANEL (3/4" C, 3#12). PROVIDE WP DUPLEX GFI RECEPTACLE WITH CAST ALUMINUM BOX AND COVER, AND WP LIGHT SWITCH WITH CAST ALUMINUM BOX AND COVER, MOUNTED ADJACENT TO THE PUMP CONTROL PANEL. SITE LIGHT POLE SHALL BE FIBERGLASS DIRECT BURIED POLE. LUMINAIRE SHALL BE RAB MODEL A17-5T70SF WITH 24" LONG ALUMINUM SPOKE BRACKET ARM. POLE, LUMINAIRE AND ARM SHALL HAVE BRONZE FINISH. LUMINAIRE MOUNTING HEIGHT SHALL BE 12'. LOCATE LIGHT POLE ON RIGHT-HAND SIDE OF THE PUMP CONTROL PANEL.
- IN ACCORDANCE WITH THE LATEST ST. JOHNS COUNTY UTILITIES DEPARTMENT STANDARDS, THE NEW PUMP CONTROL PANEL, EXPLOSION PROTECTED TYPE EX TERMINAL BOXES, WET WELL LEVEL CONTROLS, AND UL SERVICE ENTRANCE MAIN FUSED DISCONNECT SWITCH SHALL BE FURNISHED BY THE SJUCD APPROVED LIFT STATION ELECTRICAL EQUIPMENT SUPPLIER.
- IN ACCORDANCE WITH THE LATEST ST. JOHNS COUNTY UTILITIES DEPARTMENT STANDARDS, THE SCADA SYSTEM RTU, ANTENNA MAST, AND ANTENNA, SHALL BE PROVIDED BY A SJUCD APPROVED SCADA SYSTEM INTEGRATOR. FOR STATIONS EQUIPPED WITH FORCE MAIN PRESSURE SENSORS AND/OR WATER MAIN PRESSURE SENSORS, THE PRESSURE SENSORS SHALL BE PROVIDED BY THE SCADA SYSTEM INTEGRATOR.

ELECTRICAL SYSTEMS ANALYSIS:

- THE CONTRACTOR SHALL INCLUDE A BID ALLOWANCE AS SHOWN IN SECTION 1.4.1.5 OF THE SJUCD "MANUAL OF WATER, WASTEWATER AND REUSE DESIGN STANDARDS AND SPECIFICATIONS" TO OBTAIN THE SERVICES OF AN INDEPENDENT SPECIALTY ENGINEERING FIRM TO PROVIDE A PRELIMINARY AND A FINAL SHORT CIRCUIT, DEVICE EVALUATION, PROTECTIVE DEVICE COORDINATION, AND ARC FLASH STUDY OF THE COMPLETE ELECTRICAL DISTRIBUTION SYSTEM, IN ACCORDANCE WITH SJUCD STANDARDS
- THE CONTRACTOR SHALL PROVIDE, WITH THE SHOP DRAWING SUBMITTALS, A LISTING OF THE FOLLOWING INFORMATION FOR EACH POWER DISTRIBUTION FEEDER: CONDUIT SIZE, CONDUIT TYPE, CONDUCTOR SIZE, CONDUCTOR TYPE, CONDUCTOR LENGTH.
- THE SERVICE ENTRANCE MAIN FUSED DISCONNECT SWITCH FUSE SELECTION SHALL BE IN ACCORDANCE WITH THE SJUCD STANDARDIZED FUSES: MERSEN TRS100R AND TRS200R. HOWEVER, SELECTION OF AN INTERMEDIATE TRS-R FUSE SHALL BE UTILIZED WHEN POSSIBLE TO REDUCE THE DOWNSTREAM HAZARD RISK CATEGORY.
- THE CONTRACTOR SHALL PROVIDE THE SERVICE ENTRANCE FUSE SIZE DETERMINED BY THE FINAL APPROVED ELECTRICAL SYSTEMS ANALYSIS.



NO.	BY	DATE	SYMBOL	REVISIONS
6.				
5.				
4.				
3.				
2.				
1.				

DESIGNER:	DESIGN ENGINEER
DRAWN BY:	
DATE:	
CHECKED BY:	FLORIDA REGISTRATION NO.
DATE:	

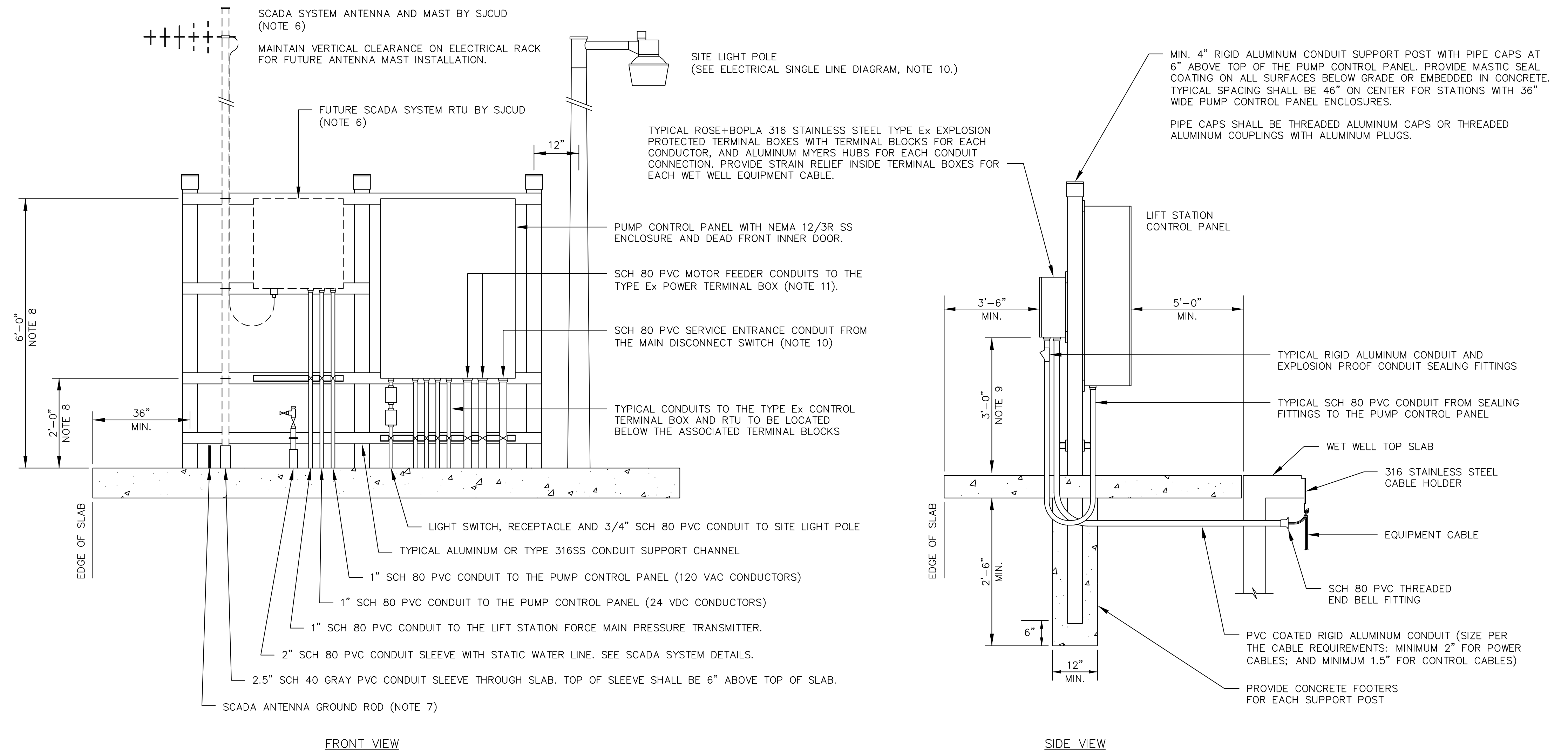
ST. JOHNS COUNTY UTILITY DEPARTMENT	1205 STATE ROAD 16 ST AUGUSTINE, FLORIDA 32084-8646 Phone (904) 209-2700 • Fax: (904) 209-2702
--	--

<b>SJUCD STANDARD SUBMERSIBLE LIFT STATION ELECTRICAL SINGLE LINE DIAGRAM 480/277V 3 PHASE</b>		NO. SHEETS SHEET NO. DRAWING NO. E301
--	--	--



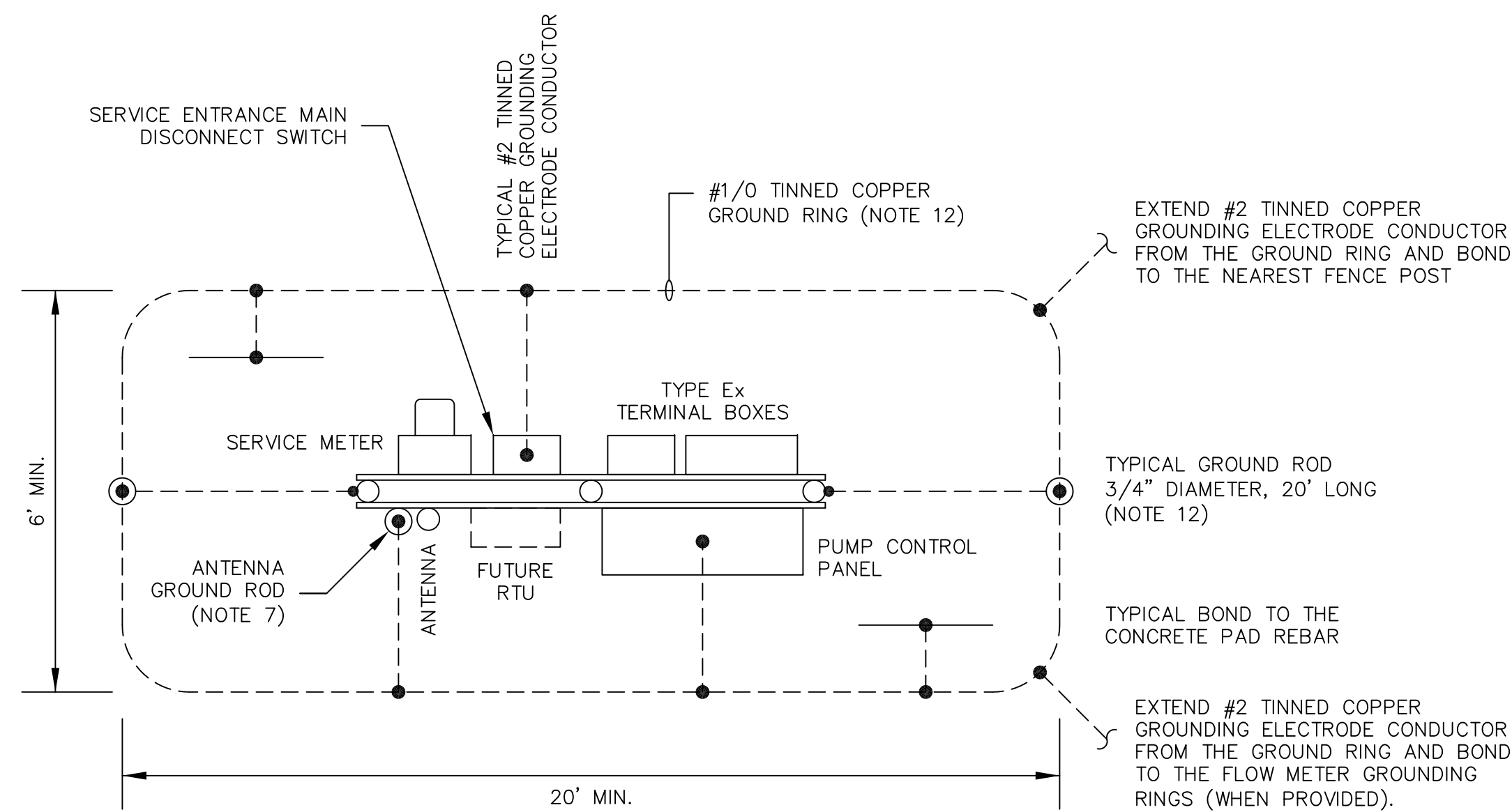
NOTES:

1. THE CONTRACTOR SHALL SCHEDULE AN ELECTRICAL PRE-CONSTRUCTION COORDINATION SITE MEETING WITH SJUCD AND THE ELECTRICAL DESIGN ENGINEER TO COORDINATE SITE SPECIFIC REQUIREMENTS OF THE ELECTRICAL EQUIPMENT INSTALLATION.
2. THE CONTRACTOR SHALL SCHEDULE AN ELECTRICAL ROUGH-IN SITE INSPECTION WITH SJUCD AND THE ELECTRICAL DESIGN ENGINEER TO INSPECT THE ELECTRICAL EQUIPMENT INSTALLATION PRIOR TO POURING CONCRETE.
3. GROUNDING ELECTRODE SYSTEM: PROVIDE A GROUND RING PER NEC 250.52, ENCIROLING THE ELECTRICAL SERVICE EQUIPMENT, CONSISTING OF CONTINUOUS #1/0 TINNED COPPER CONDUCTOR AT 30" BELOW GRADE.
4. PROVIDE GROUND RODS (MINIMUM 3/4" DIAMETER, 20' LONG COPPER CLAD STEEL) BONDED TO EACH END OF THE GROUND RING, AT LEAST 20' APART. GROUND ROD SECTIONS SHALL BE COUPLED AND DRIVEN TO ESTABLISH A MAXIMUM RESISTANCE TO GROUND OF 5 OHMS THROUGHOUT THE GROUNDING ELECTRODE SYSTEM.
5. GROUNDING ELECTRODE CONDUCTOR: PROVIDE MINIMUM #2 TINNED COPPER GROUNDING ELECTRODE CONDUCTOR FROM THE GROUND RING TO THE SERVICE ENTRANCE DISCONNECT SWITCH, PUMP CONTROL PANEL, RTU, SCADA SYSTEM ANTENNA TOWER, ELECTRICAL EQUIPMENT RACK END POSTS, AND FENCE. USE GROUND CLAMPS RATED FOR CONNECTIONS TO END POSTS AND FENCE POSTS. GROUND CLAMPS SHALL BE RATED FOR DIRECT BURIAL. INSTALL GROUNDING ELECTRODE CONDUCTORS IN 3/4" SCH 80 PVC CONDUIT SLEEVE FOR MECHANICAL PROTECTION.
6. THE CONTRACTOR SHALL REVIEW THE SCADA SYSTEM DETAILS AND SHALL MAKE ALL PROVISIONS REQUIRED FOR THE FUTURE INSTALLATION OF THE SCADA SYSTEM RTU AND ANTENNA INCLUDING: SLEEVE FOR THE ANTENNA MAST, GROUND ROD FOR THE ANTENNA MAST, RTU POWER AND CONTROL CONDUITS, FORCE MAIN PRESSURE TRANSMITTER CONDUIT, AND THE WATER MAIN PRESSURE TRANSMITTER STATIC WATER LINE.
7. THE TOP OF THE GROUND ROD FOR THE SCADA SYSTEM ANTENNA SHALL EXTEND NO MORE THAN 6" AND NO LESS THAN 4" ABOVE THE CONCRETE SLAB.
8. UNLESS OTHERWISE INDICATED SET THE TOP OF EACH EQUIPMENT ENCLOSURE AT 6'-0" ABOVE THE TOP OF THE CONCRETE SLAB. ADJUST AS REQUIRED TO MAINTAIN THE BOTTOM OF EACH ENCLOSURE A MINIMUM OF 2'-0" ABOVE THE TOP OF THE CONCRETE SLAB. CONTACT SJUCD FOR APPROVAL OF ALL PROPOSED ADJUSTMENTS PRIOR TO CONSTRUCTION.
9. SET THE BOTTOM OF THE TYPE Ex WET WELL TERMINAL BOXES AT 3'-0" ABOVE THE TOP OF THE CONCRETE SLAB.
10. THE CONTROL PANEL SERVICE ENTRANCE CONDUIT FROM THE MAIN SERVICE DISCONNECT SWITCH SHALL BE POSITIONED ON THE FAR RIGHT-HAND SIDE OF THE PUMP CONTROL PANEL.
11. THE CONDUITS FROM THE TYPE Ex POWER TERMINAL BOX SHALL ENTER THE PUMP CONTROL PANEL BELOW THE MOTOR STARTERS.
12. THE COMPLETE GROUND RING SHALL BE INSIDE THE LIFT STATION FENCE. THE GROUND RING MAY BE OFFSET FROM THE CENTER OF THE ELECTRICAL RACK WHEN NECESSARY TO STAY WITHIN THE FENCE. SET THE GROUND RODS CENTERED BETWEEN THE ELECTRICAL EQUIPMENT RACK END POSTS AND THE PERIMETER FENCE. INCREASE THE DISTANCE FROM THE END POSTS WHERE REQUIRED TO ACHIEVE MINIMUM 20' SPACING BETWEEN GROUND RODS.



FRONT VIEW

SIDE VIEW

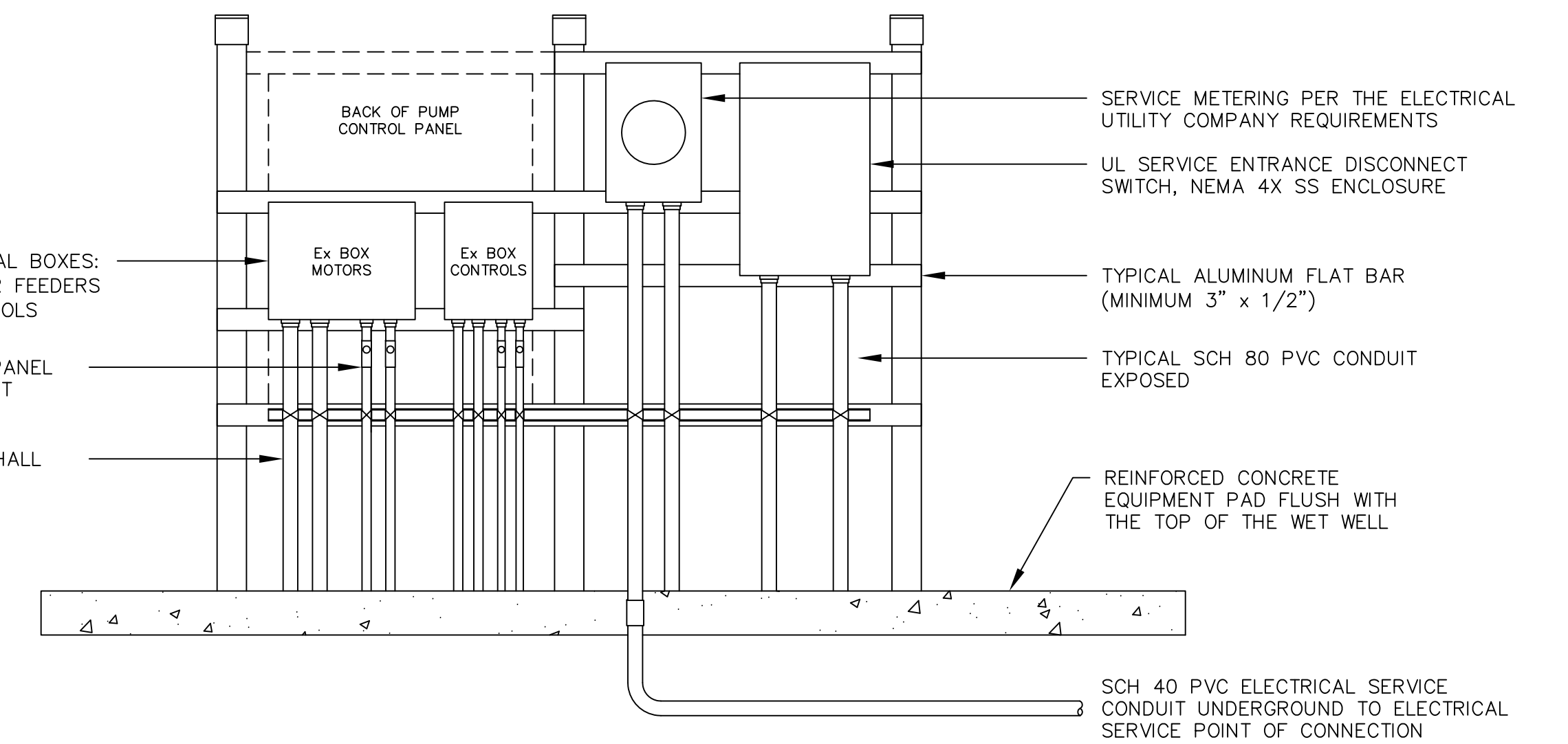


ELECTRICAL EQUIPMENT GROUNDING SYSTEM DETAIL  
NOT TO SCALE

EXPLOSION PROTECTED TYPE Ex TERMINAL BOXES:  
MIN. 15.8"H, 19.7"W, 6.3"D PUMP MOTOR FEEDERS  
MIN. 15.8"H, 11.8"W, 6.3"D LEVEL CONTROLS

TYPICAL CONDUITS TO PUMP CONTROL PANEL SHALL BE SCH 80 PVC WITH XP CONDUIT SEALING FITTINGS

TYPICAL CONDUITS TO THE WET WELL SHALL BE PVC COATED RIGID ALUMINUM



TYPICAL LIFT STATION ELECTRICAL EQUIPMENT INSTALLATION DETAIL  
NOT TO SCALE

NO.	BY	DATE	SYMBOL	REVISIONS
6.				
5.				
4.				
3.				
2.				
1.				

DESIGNER:	DESIGN ENGINEER
DRAWN BY:	
DATE:	
CHECKED BY:	FLORIDA REGISTRATION NO.
DATE:	



ST. JOHNS COUNTY  
UTILITY DEPARTMENT  
1205 STATE ROAD 16  
ST AUGUSTINE, FLORIDA 32084-8646  
Phone (904) 209-2700 • Fax: (904) 209-2702

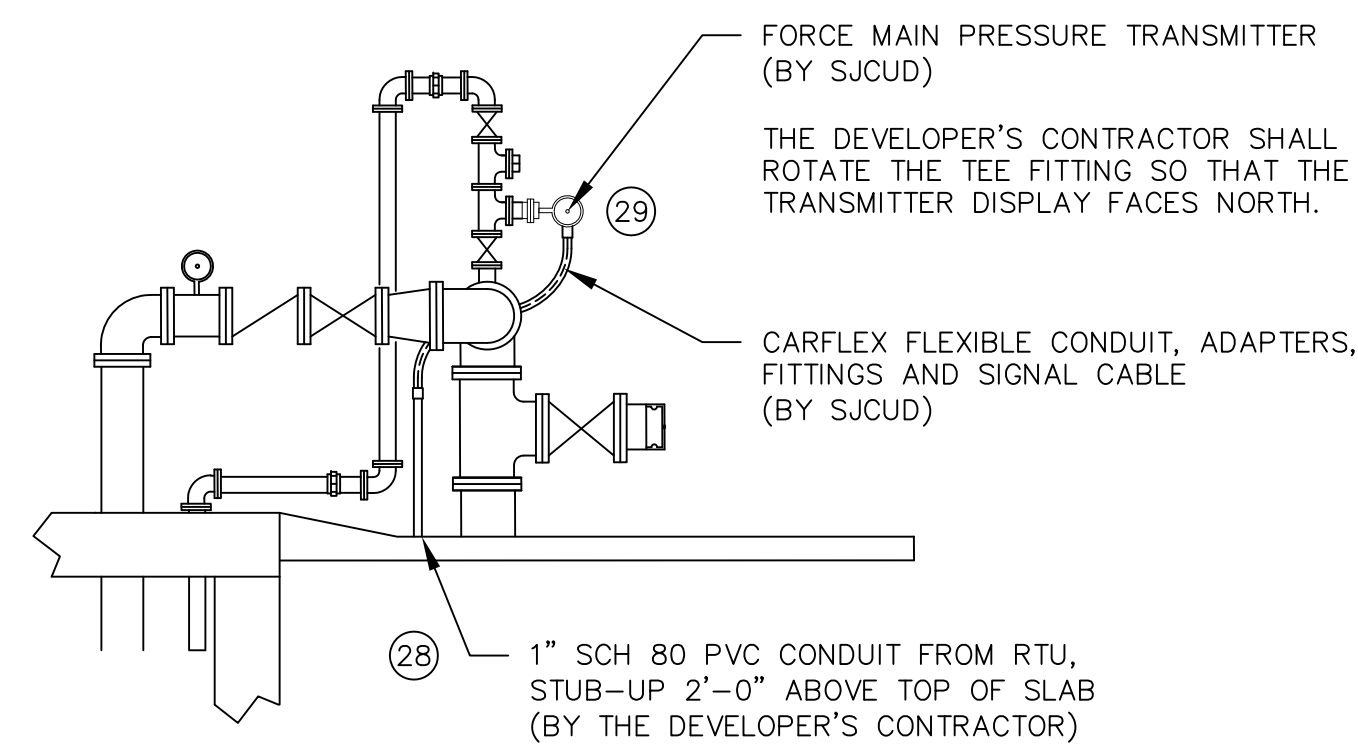
SJUCD STANDARD SUBMERSIBLE LIFT STATION  
ELECTRICAL DETAILS

NO. SHEETS
SHEET NO.
DRAWING NO. E303

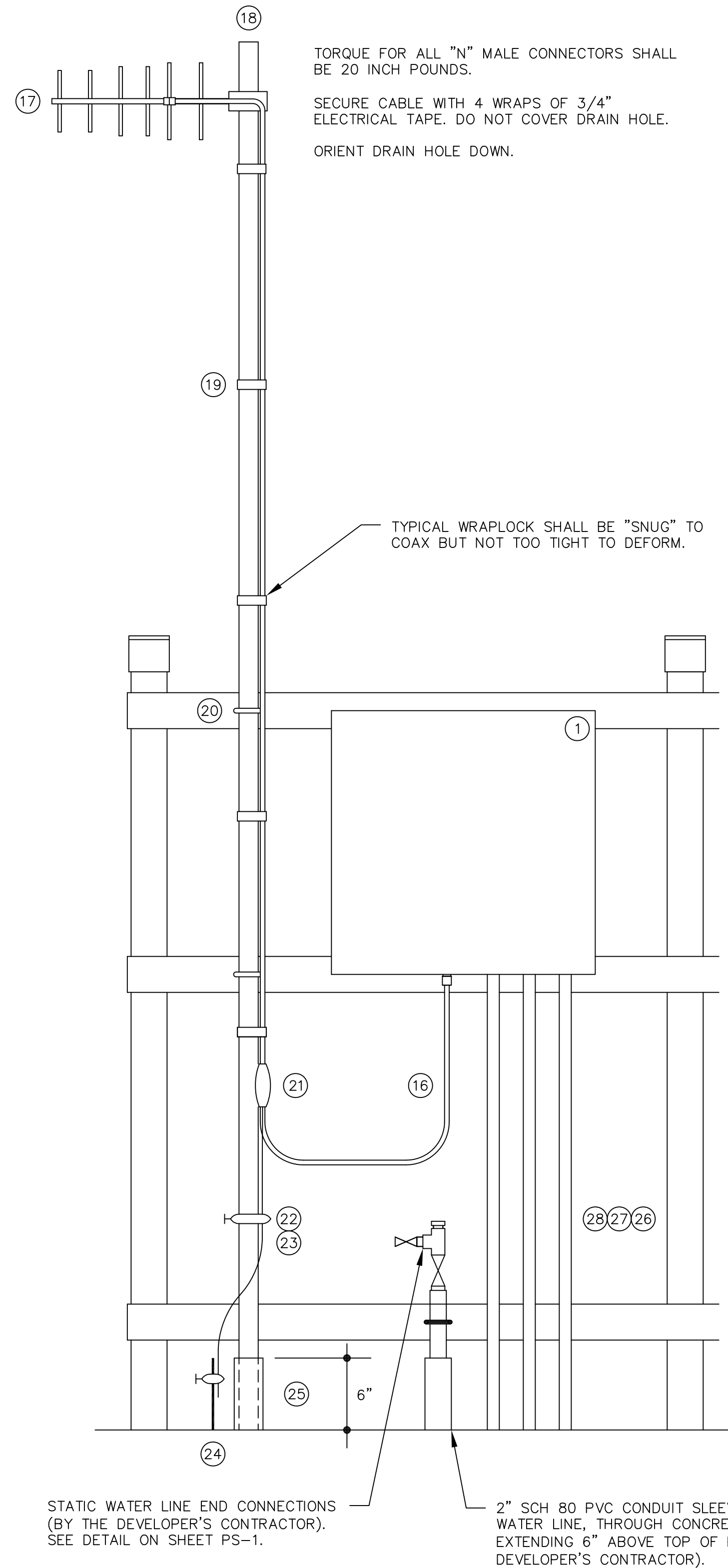


SCADA SYSTEM NOTES:

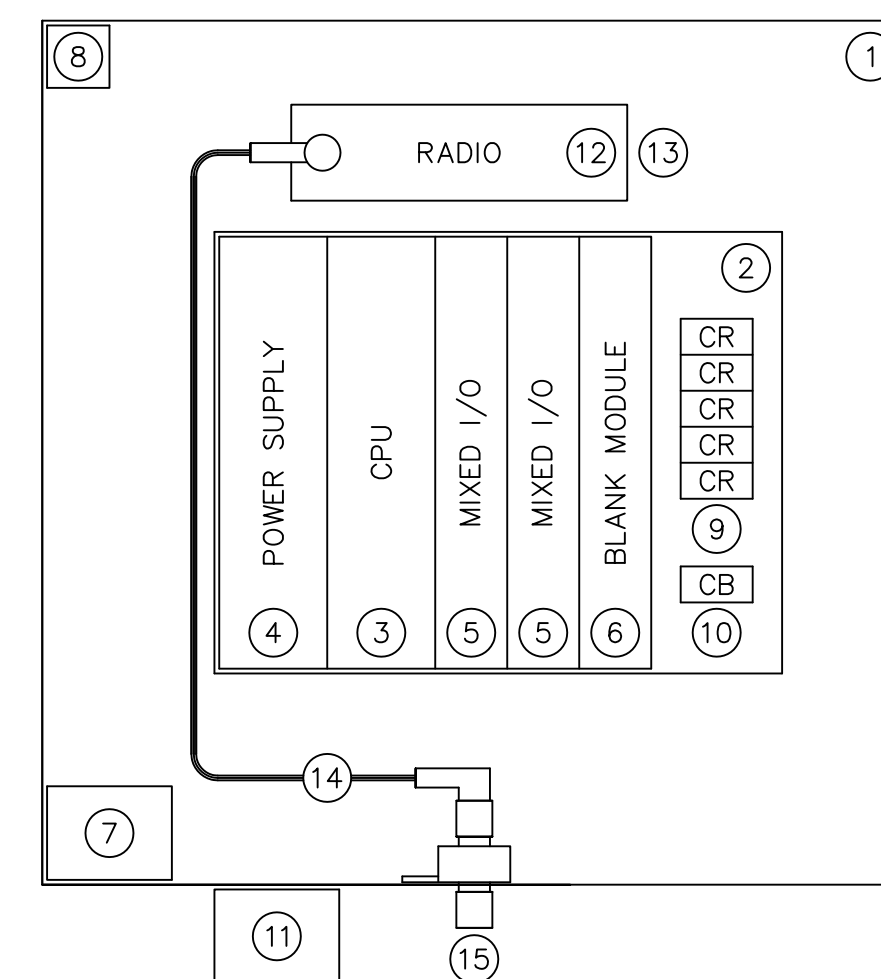
- SJCUD SHALL EMPLOY THE SERVICES OF A SJCUD PRE-APPROVED SCADA SYSTEM INTEGRATOR TO PERFORM ALL SCADA SYSTEM ADDITIONS AND MODIFICATIONS INCLUDING: NEW RTU, ANTENNA, AND ANTENNA MAST.
- THE SCADA SYSTEM SUPPLIER SHALL MODIFY AND UPGRADE THE EXISTING SJCUD MASTER SCADA SYSTEM AS REQUIRED TO INCORPORATE THE NEW FACILITIES.
- THE CONTRACTOR AND THE SCADA SYSTEM SUPPLIER SHALL COORDINATE ALL SCADA SYSTEM INSTALLATION WITH THE SJCUD SCADA SYSTEM SUPERVISOR.
- THE SCADA SYSTEM RTU SHALL BE A SJCUD STANDARD LIFT STATION RTU WITH MOTOROLA ACE3600 RTU CONFIGURED WITH MIXED I/O MODULES AS INDICATED. PROVIDE POWER AND SIGNAL LINE SURGE PROTECTION.
- PRIOR TO SHOP DRAWING SUBMITTALS, THE SCADA SYSTEM SUPPLIER SHALL CONFIRM RADIO/ANTENNA SELECTION WITH THE SJCUD SCADA SYSTEM SUPERVISOR.
- IN ORDER TO MAINTAIN FCC PART 15 COMPLIANCE, ALL ANTENNA WORK MUST BE PERFORMED OR CERTIFIED BY AN FCC CERTIFIED TECHNICIAN. THE SJCUD SCADA SUPERVISOR WILL INSPECT AND CERTIFY (AT NO CHARGE) BUT WILL NOT PERFORM CORRECTIVE ACTIONS.
- ANTENNA MAST GROUND ROD SHALL BE BONDED (UNDERGROUND) TO THE STATION ELECTRICAL SYSTEM GROUNDING GRID.
- ALL GROUNDING CONDUCTORS SHALL HAVE AN EVEN SLOPE FROM POINT OF CONTACT TO THE GROUND ROD (NO 90° BENDS).
- ALL GROUND CONTACT POINTS SHALL BE PROTECTED BY AN ANTI-OXIDATION COMPOUND.
- ALL RF CONNECTORS SHALL BE TIGHTENED TO MANUFACTURER SPECIFICATIONS, AND SHALL BE PROPERLY SEALED. COLD SHRINK IS NOT ACCEPTABLE.
- DRAIN HOLES ON ANTENNAS MUST BE ORIENTED DOWN.
- ALL THREADED CONNECTIONS, EXCEPT ANTENNA CONNECTIONS, SHALL BE PROTECTED WITH ANTI-SEIZE TREATMENT.
- THE "POWER" CONDUIT FROM THE RTU TO THE PUMP CONTROL PANEL SHALL BE USED FOR ALL 120 VAC CONDUCTORS, INCLUDING THE RTU INPUT POWER AND THE DIGITAL OUTPUT CONDUCTORS.
- THE "CONTROL" CONDUIT FROM THE RTU TO THE PUMP CONTROL PANEL SHALL BE USED FOR ONLY 24 VDC CONDUCTORS, INCLUDING THE DIGITAL INPUT SIGNAL CONDUCTORS AND THE ANALOG INPUT SIGNAL CABLES. PROVIDE 1TSP#18 CABLE FOR EACH ANALOG INPUT SIGNAL.
- PROVIDE DIN RAIL ON BACK PLANE AT THE RTU RADIO MOUNTING LOCATION FOR THE 4RF RADIO MOUNTING BRACKET. MOUNT THE DIN RAIL USING EXISTING TAPPED SCREW HOLES. DO NOT DRILL AND TAP NEW HOLES.
- THE SCADA SYSTEM SUPPLIER SHALL PROVIDE THE FORCE MAIN PRESSURE TRANSMITTER: EITHER VEGABAR 82, OR WIKI UPT-20SS INCLUDING ASHCROFT TYPE 330 FLUSH DIAPHRAGM SEAL, AND ALUMINUM M20x1.5 METRIC TO 1/2" NPT CONDUIT CONNECTION ADAPTER.



FORCE MAIN PRESSURE TRANSMITTER DETAIL  
NOT TO SCALE



SCADA SYSTEM ANTENNA DETAIL  
NOT TO SCALE



SCADA SYSTEM RTU DETAIL  
NOT TO SCALE

SCADA SYSTEM EQUIPMENT SCHEDULE	
ITEM	DESCRIPTION
1	RTU ENCLOSURE, SCHAEFER'S ELECTRICAL ENCLOSURE MODEL SPN4AL-20208-735, DO NOT SUBSTITUTE, NEMA 12/3R ALUMINUM ENCLOSURE, PADLOCK PROVISIONS, ALUMINUM TOP, SIDES, AND DOOR SUN SHIELDS
2	MOTOROLA ACE3600 METAL CHASSIS WITH 3 I/O SLOT FRAME V214/V103
3	MOTOROLA ACE3600 RTU WITH UPGRADE TO CPU3680 AND SECURITY ENABLE OPTION F7509/V448/VA00360AA
4	MOTOROLA CPU PLUG-IN ETHERNET 10/100 M PORT V212
5	MOTOROLA ACE3600 AC POWER SUPPLY WITH BATTERY CHARGER V261
6	MOTOROLA ACE3600 MIXED I/O MODULE 16DI, 4DO EE, 4AI, ±20 mA WITH FLOATING POWER SUPPLY V245/V260
7	MOTOROLA ACE3600 BLANK I/O MODULE V20
8	MOTOROLA BATTERY POWER CABLE FKN8376
9	BATTERY BACKUP 12V, 7AH, SEALED RECHARGEABLE SLA BATTERY, TOYO-USP 6FMS7
10	INTRUSION SWITCH WITH PULL TO DEFEAT FEATURE HONEYWELL MICRO SWITCH 1DM401
11	DIN RAIL MOUNTED DIGITAL OUTPUT CONTROL RELAYS OMRON G2R-1-SNI-DC12-S, 12VDC, SPDT, PTT
12	DIN RAIL MOUNTED CIRCUIT BREAKER SUPPLEMENTARY PROTECTOR EATON FAZ-C10/1-SP
13	DITEK DTK-120HW SURGE PROTECTION DEVICE 120VAC
14	4RF DIGITAL RADIO MODEL APSQ-N220-SSC-HD-22-ENAA
15	4RF DIGITAL RADIO DIN RAIL MOUNTING BRACKET APSB-MBRK-DIN (NOTE 15)
16	RADIO POWER CABLE 12VDC WITH PLUG COMPATIBLE WITH MOTOROLA POWER SUPPLY
17	RADIO COMMUNICATION CABLE TYPE 568B ETHERNET CABLE, 1M
18	LMR-195 FLEXIBLE COAX, RIGHT ANGLE N MALE/RIGHT ANGLE TNC MALE CONNECTORS, 36" LONG
19	TIMES MICROWAVE LP-HBX-NFF COAX SURGE ARRESTER
20	TIMES MICROWAVE LMR-400-DB COAX, TYPE N MALE CONNECTORS EZ-400-NMH-D
21	ASTRON MODEL 220-6H ANTENNA (Contact: Marina Burgstahler MBurgstahler@tasmlc.com)
22	AMPHENOL PROCOM 7042220 YAGI ANTENNA & BRACKET KIT 0300064/00 (Contact: TESSCO 800-742-7373)
23	COMTELCO Y6625DHD YAGI ANTENNA (Contact: Technical Field Service, Inc. 904-591-9579)
24	SAMCO ANTENNAS MODEL SAM-260 (Contact: Technical Field Service, Inc. 904-591-9579)
25	ANTENNA MAST 2" x 20' LONG SCHEDULE 40 ALUMINUM PIPE, TOP WELDED CLOSED.
26	1/2" SS WRAPLOCK BANDS, 3' ON CENTER. TIE WRAPS ARE NOT ACCEPTABLE.
27	3/8" SS U-BOLTS. ANTI-SEIZE MUST BE USED ON ALL THREADS.
28	TESSCO GK-S38 COAX GROUND KIT
29	GROUNDING CLAMP RATED FOR DIRECT BURIAL
30	NO.2 AWG SOLID TINNED COPPER CONDUCTOR
31	COPPER CLAD STEEL GROUND ROD, 3/4" DIAMETER, 20' LONG
32	2.5" SCHEDULE 40 GRAY PVC CONDUIT SLEEVE THROUGH SLAB
33	1" SCH 80 PVC "POWER" CONDUIT TO PUMP CONTROL PANEL, 120 VAC CONDUCTORS
34	1" SCH 80 PVC "CONTROL" CONDUIT TO PUMP CONTROL PANEL, 24 VDC CONDUCTORS
35	1" SCH 80 PVC CONDUIT TO THE LIFT STATION FORCE MAIN PRESSURE TRANSMITTER
36	FORCE MAIN PRESSURE TRANSMITTER: VEGA VEGABAR 82 MODEL B82.IXDS DAGGSZAIJKX OR WIKA UPT-20SS WITH STAINLESS STEEL HOUSING (SEE NOTE 16)

\* BY THE DEVELOPER'S CONTRACTOR

RTU I/O SCHEDULE			
MIXED I/O MODULE		MIXED I/O MODULE	
DI	SIGNAL DESCRIPTION	DI	SIGNAL DESCRIPTION
01	RTU INTRUSION SWITCH	01	SPARE
02	HIGH LEVEL	02	SPARE
03	PHASE FAILURE	03	SPARE
04	PUMP 1 RUNNING	04	SPARE
05	PUMP 2 RUNNING	05	SPARE
06	PUMP 1 FAIL	06	SPARE
07	PUMP 2 FAIL	07	SPARE
08	CONTROL POWER	08	SPARE
09	PUMP 1 OVERTEMP	09	SPARE
10	PUMP 2 OVERTEMP	10	SPARE
11	TRANSDUCER HIGH LEVEL	11	SPARE
12	PUMP 1 SEAL LEAK	12	SPARE
13	PUMP 2 SEAL LEAK	13	SPARE
14	SPARE	14	SPARE
15	SPARE	15	SPARE
16	SPARE	16	SPARE
DO	SIGNAL DESCRIPTION	DO	SIGNAL DESCRIPTION
01	PUMP 1 DISABLE	01	ALARM SILENCE
02	PUMP 2 DISABLE	02	SPARE
03	PUMP 1 REMOTE RUN	03	SPARE
04	PUMP 2 REMOTE RUN	04	SPARE
AI	SIGNAL DESCRIPTION	AI	SIGNAL DESCRIPTION
01	WET WELL LEVEL	01	SPARE
02	FORCE MAIN PRESSURE	02	SPARE
03	WATER MAIN PRESSURE	03	SPARE
04	SPARE	04	SPARE

NO.	BY	DATE	SYMBOL	REVISIONS
6.				
5.				
4.				
3.				
2.				
1.				

DESIGNER:	DESIGN ENGINEER
DRAWN BY:	
DATE:	
CHECKED BY:	FLORIDA REGISTRATION NO.
DATE:	

DESIGNER:	DESIGN ENGINEER
DRAWN BY:	
DATE:	
CHECKED BY:	FLORIDA REGISTRATION NO.
DATE:	

ST. JOHNS COUNTY  
UTILITY DEPARTMENT  
1205 STATE ROAD 16  
ST AUGUSTINE, FLORIDA 32084-8646  
Phone (904) 209-2700 • Fax: (904) 209-2702

SJCUD STANDARD SUBMERSIBLE LIFT STATION  
SCADA SYSTEM DETAILS

NO. SHEETS  
SHEET NO.  
DRAWING NO. E304