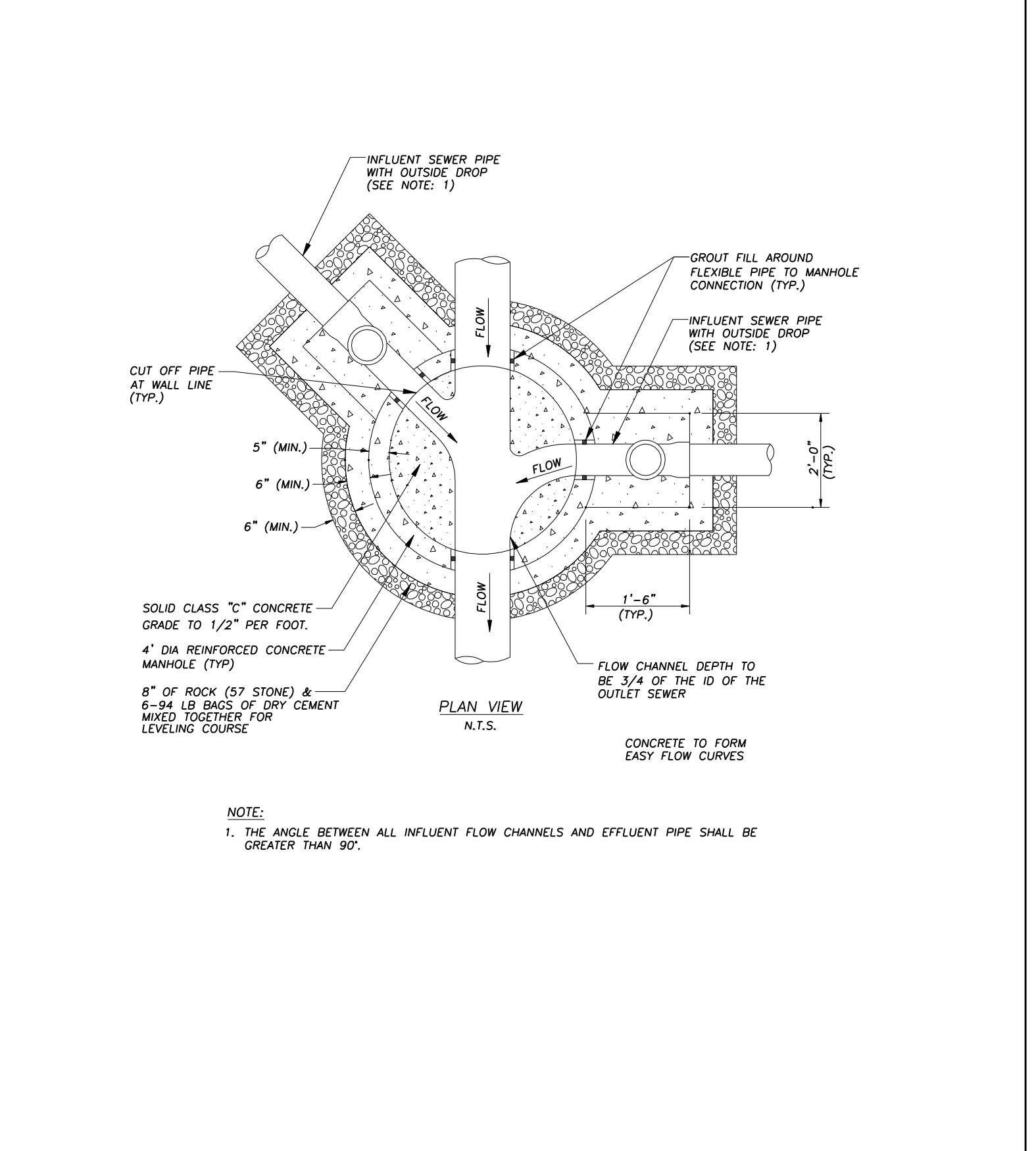
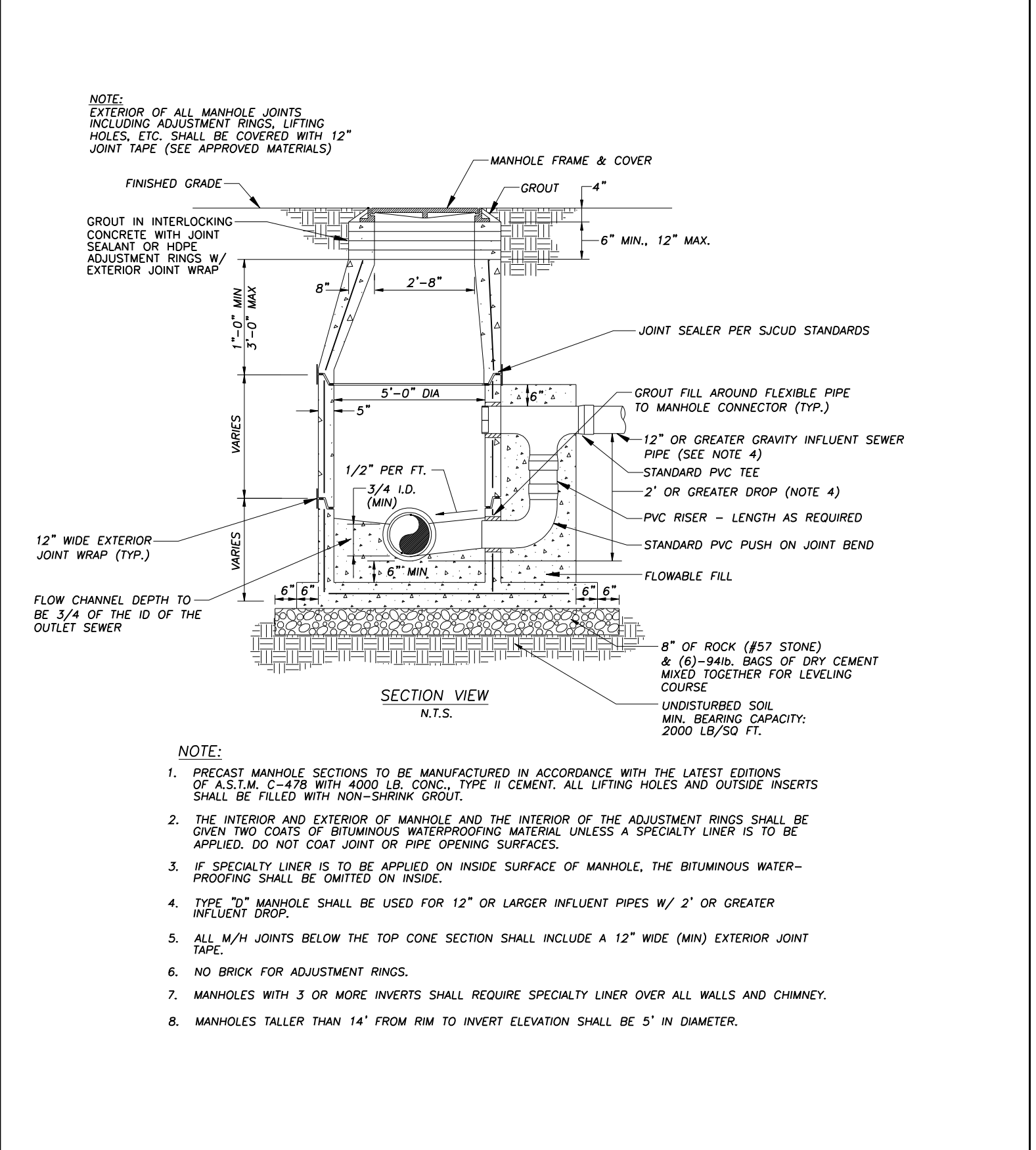
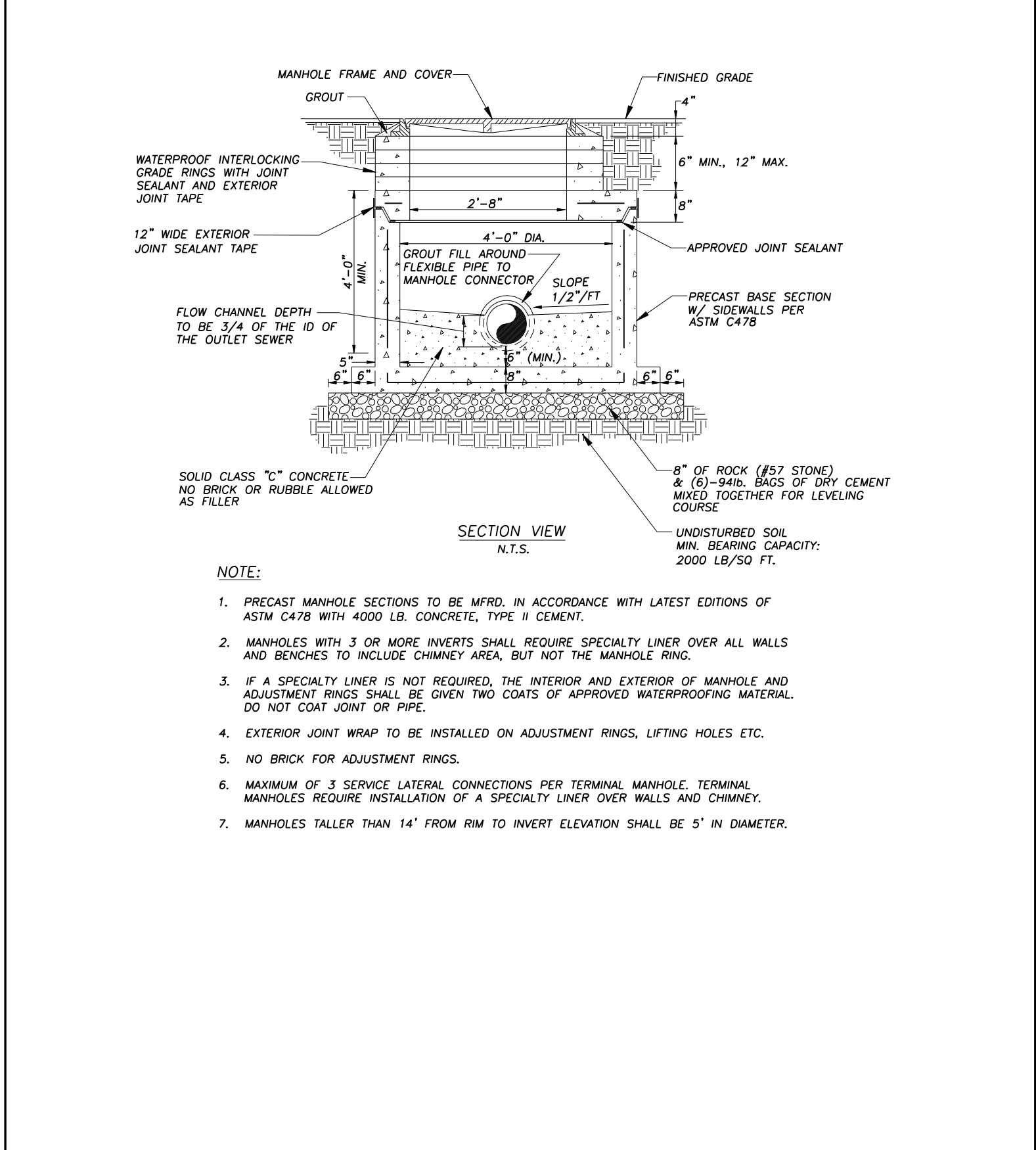
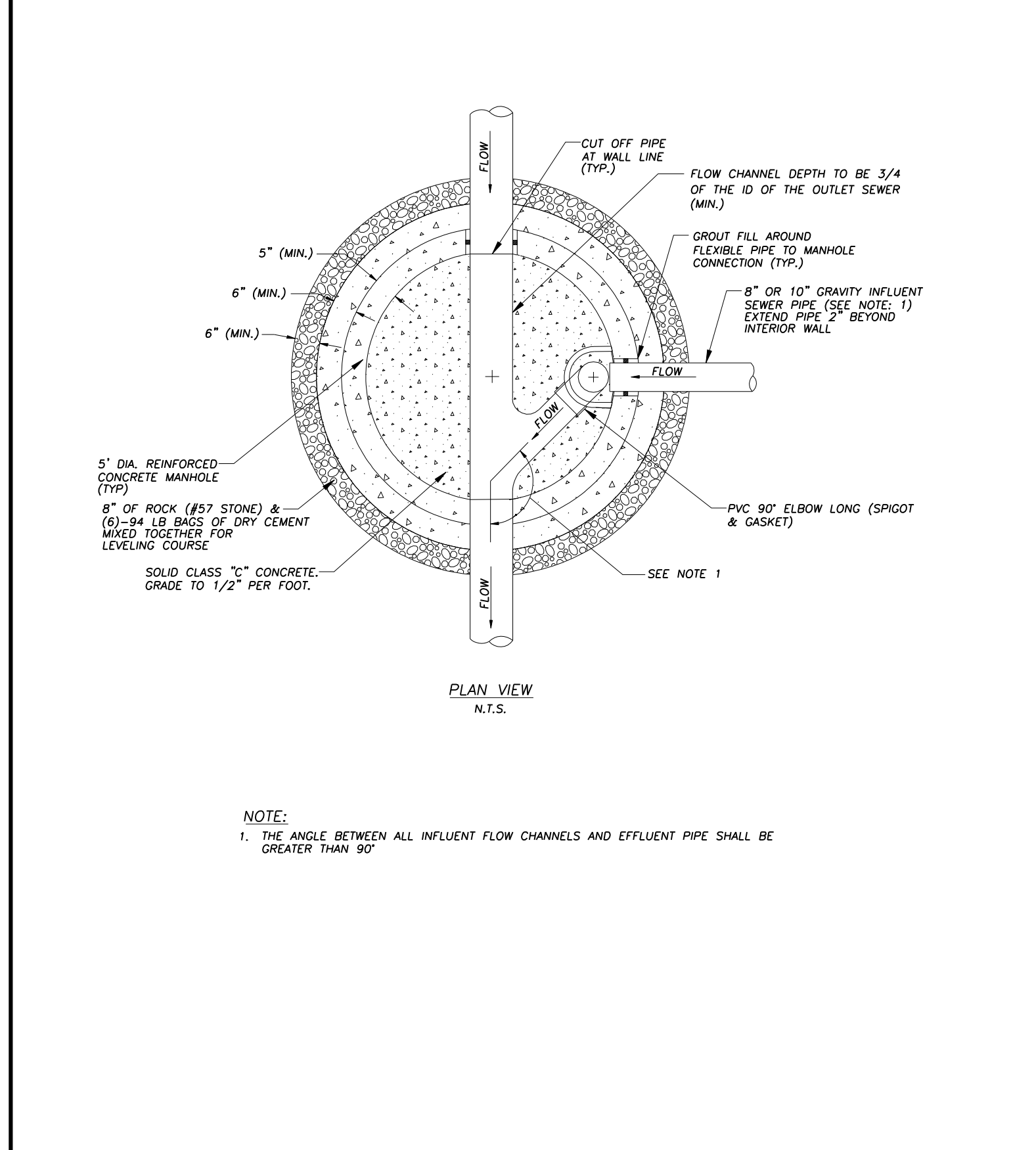


REVISIONS	ST. JOHNS COUNTY UTILITY DEPARTMENT	SANITARY SEWER MANHOLE FRAME & COVER	PLATE: S-1
Date	Comments	SCALE: N.T.S.	
2020	REVISION 1		

REVISIONS	ST. JOHNS COUNTY UTILITY DEPARTMENT	SANITARY SEWER TYPE "A" MANHOLE 8"-12" SEWERS	PLATE: S-2
Date	Comments	SCALE: N.T.S.	
2020	REVISION 1		

REVISIONS	ST. JOHNS COUNTY UTILITY DEPARTMENT	PLAN VIEW TYPE "A" MANHOLE 8"-12" SEWERS	PLATE: S-3
Date	Comments	SCALE: N.T.S.	
2020	REVISION 1		

REVISIONS	ST. JOHNS COUNTY UTILITY DEPARTMENT	SANITARY SEWER TYPE "B" MANHOLE 8"-10" SEWERS	PLATE: S-4
Date	Comments	SCALE: N.T.S.	
2020	REVISION 1		



REVISIONS	ST. JOHNS COUNTY UTILITY DEPARTMENT	PLAN VIEW TYPE "B" MANHOLE 8"-10" SEWERS	PLATE: S-5
Date	Comments	SCALE: N.T.S.	
2020	REVISION 1		

REVISIONS	ST. JOHNS COUNTY UTILITY DEPARTMENT	SANITARY SEWER TYPE "C" MANHOLE 8"-12" SEWERS	PLATE: S-6
Date	Comments	SCALE: N.T.S.	
2020	REVISION 1		

REVISIONS	ST. JOHNS COUNTY UTILITY DEPARTMENT	SANITARY SEWER TYPE "D" MANHOLE 12"-21" SEWERS	PLATE: S-7
Date	Comments	SCALE: N.T.S.	
2020	REVISION 1		

REVISIONS	ST. JOHNS COUNTY UTILITY DEPARTMENT	PLAN VIEW TYPE "D" MANHOLE 12"-21" SEWERS	PLATE: S-8
Date	Comments	SCALE: N.T.S.	
2020	REVISION 1		

NO. BY DATE SYMBOL	DESIGNER:		DESIGN ENGINEER	ST. JOHNS COUNTY UTILITY DEPARTMENT 1205 STATE ROAD 16 ST. AUGUSTINE, FLORIDA 32084-8646 Phone (904) 209-2700 • Fax (904) 209-2702	NO. SHEETS	
	DRAWN BY:					FLORIDA REGISTRATION NO.
	DATE:					
	CHECKED BY:					
	DATE:					
REVISIONS		SEWER DETAILS		SHEET NO. D-5		
1. SJCUD 2020 REVISION 1				DRAWING NO. D-05.dwg		