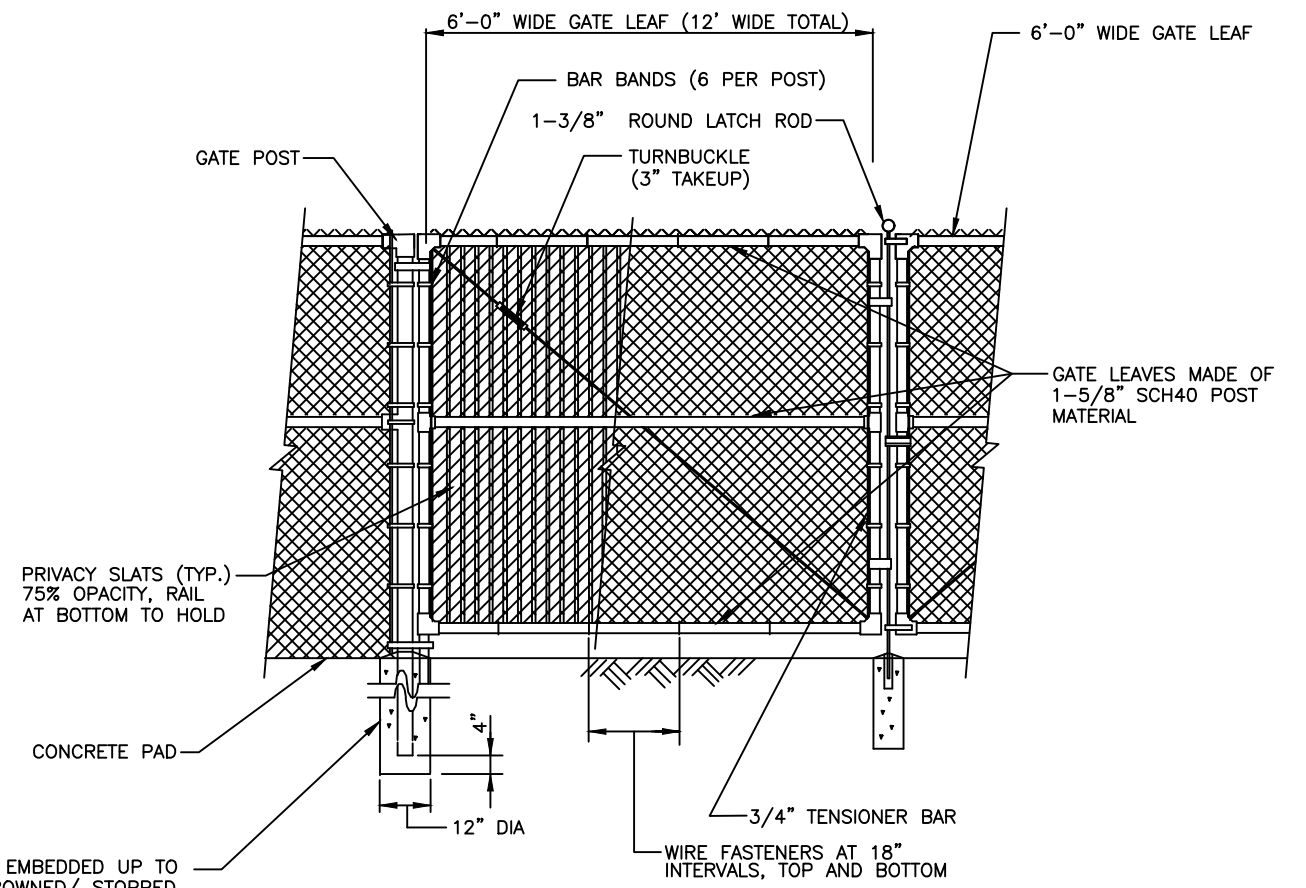


TYPICAL FENCE DETAIL  
 DETAIL 1  
 NTS



CHAIN LINK FENCE-GATE  
 DETAIL 2  
 NTS

GATE & CORNER POSTS ARE EMBEDDED UP TO 3' IN CONCRETE AND ARE CROWNED/ STOPPED. LINE POSTS ARE EMBEDDED UP TO 2' IN CONCRETE AND ARE AT LEAST 6' ABOVE THE SLAB

NOTE:  
 1. GATE STOPS SHALL BE INSTALLED TO STOP AND SECURE GATE PROPERLY WHEN IN THE OPEN POSITION.

- NOTES:
1. ALL FENCING AND POSTS SHALL BE BLACK VINYL COATED.
  2. THE LOCK HASP SHALL BE CAPABLE OF ACCEPTING A STANDARD COUNTY PADLOCK.
  3. HEIGHT OF FENCE AT MASTER LIFT STATION SHALL BE 8'. HEIGHT AT TYPICAL PUMP STATIONS SHALL BE 6'.
  4. ALL FENCE POSTS SHALL BE SET IN CONCRETE SLAB ON A 5" CENTERLINE FROM EDGE OF SLAB.
  5. SEE ELECTRICAL DRAWINGS FOR GROUNDING SYSTEM DETAIL.

ALL POSTS AND RAILS ARE SCH40 AND VINYL COATED  
 GATE POSTS: 4"x9' (QTY. 2)  
 CORNER POSTS: 3"x9' (QTY. 4)  
 LINE POSTS: 2 1/2"x8' (QTY. 11)  
 TOP AND CENTER RAILS: 1-5/8" (QTY. 16)